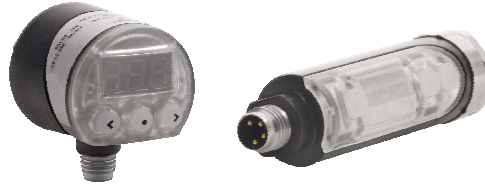


PK Air Pressure Switches

- IP65
- For Air and other Inert Gases
- M8x1 *picofast*[®] Connection
- Vacuum and 10 bar Ranges



Part Number	Pressure Range	Connection	Output	Drawing
PK010VR-N14AL-2UP8X-V1141	-29.5 to 0 inHg	1/8" NPT	2 PNP N.O./N.C.	1
PK010R-N14AL-2UP8X-V1141	0 to 145 PSI	1/8" NPT	2 PNP N.O./N.C.	1
PK01VR-P14-2UP8X-V1141	-29.5 to 0 inHg	1/8" NPT	2 PNP N.O./N.C.	2
PK010R-P14-2UP8X-V1141	0 to 145 PSI	1/8" NPT	2 PNP N.O./N.C.	2

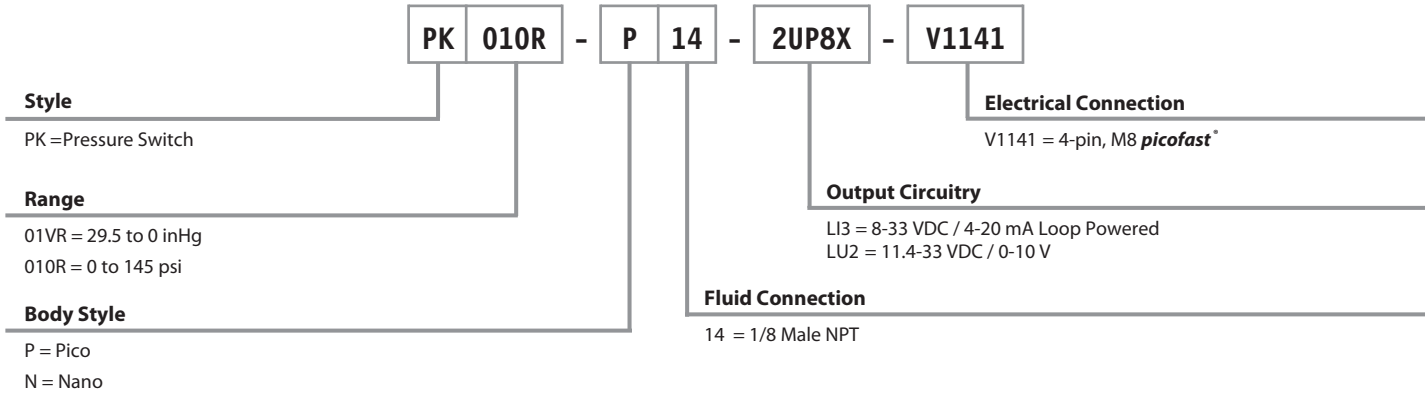
Specifications	
Electrical	
Response Time	<2.5 ms
Operating Frequency	400 Hz
Supply Voltage	10.8-30 V, keyed residual ripple 10%
Input Current During Programming	<55 mA
Input Current in Normal Operation	<35 mA
Switching Outputs	2x PNP 250 mA short-circuit proof
Display	3 digit 7 segment display
Ambient Temperature Error	3% of measured value at 0 to 50°C
Set Point Accuracy	± 1% full scale
Repeat Accuracy	0.2% of measured value
Hysteresis Adjustable	0 to 100%
Measuring Range	0....-1 bar / 0....10 bar
Burst Pressure	5 bar / 16 bar
Environmental Data	
Protection	IP65
Measuring Medium	Filtered compressed air, lubricated or unlubricated, inert gases
Emitted Interference	DIN EN 50081-1
Interference Immunity	DIN EN 50082-2
High Voltage Test	1000 VDC 1 min
Insulation Resistance	>100 MΩ at 500 VDC
Operating Temperature	-10 to 50°C
Storage Temperature	-20 to 85°C
Permissible Humidity	10 to 90% RH
Shock Resistance	10G XYZ
Vibration Resistance	10 to 55 Hz, 1.5 mm, 3 planes
Mechanical	
Electrical Connector Plug	M8, 4-pin, <i>picofast</i> [®]
Measuring Medium Connector	Male 1/8" NPT

Pressure Instrumentation

Part Number Key

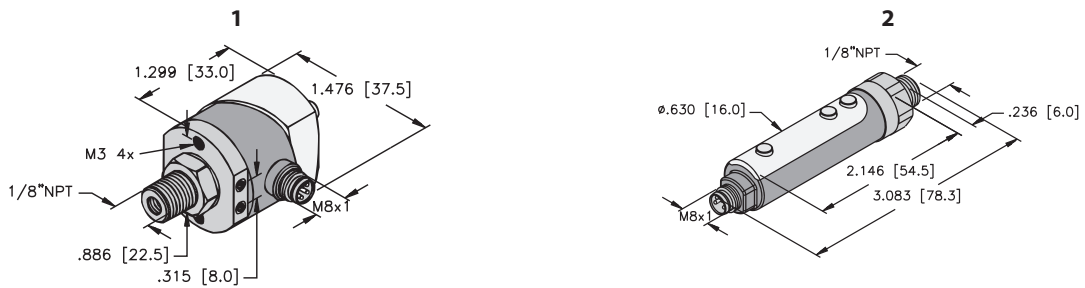
Part Number Keys are to assist in IDENTIFICATION ONLY. Consult factory for catalog items not identified.

PK Sensors - Part Number Key

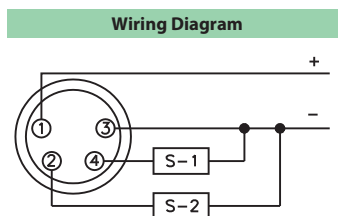


PRESSURE

Drawings



Wiring Diagram



Mating Cordset:
PKG 4M-*